



**PRODUCT
SELECTION
GUIDE**
March 2012

DDR3 Synchronous DRAM

Density	Organization	Voltage	Refresh	Ordering Code			Production
				Part Number	Package	Speed	
1Gb	128M x 8	1.5V	8K	V73CAG01808RA	J	H7 (533MHz@7-7-7) I8 (667MHz@8-8-8) I9 (667MHz@9-9-9)	EOL 2012Q4
	128M x 8	1.5V	8K	V73CAG01808RD	J	H7 (533MHz@7-7-7) I8 (667MHz@8-8-8) I9 (667MHz@9-9-9) J11(800MHZ@11-11-11)	2012Q3
	64 M x 16	1.5V	8K	V73CAG01168RD	J	H7 (533MHz@7-7-7) I8 (667MHz@8-8-8) I9 (667MHz@9-9-9) J11(800MHZ@11-11-11)	2012Q3

DDR2 Synchronous DRAM

Density	Organization	Voltage	Refresh	Ordering Code			Production
				Part Number	Package	Speed	
256Mb	32M x 8	1.8V	8K	V59C1256804QI	J	3 (333MHz@5-5-5) 25 (400MHz@5-5-5) 25A (400MHz@6-6-6)	Now
	16M x 16	1.8V	8K	V59C1256164QI	J	3 (333MHz@5-5-5) 25 (400MHz@5-5-5) 25A (400MHz@6-6-6)	Now
512 Mb	64M x 8	1.8V	8K	V59C1512804QD	J	3 (333MHz@5-5-5) 25 (400MHz@5-5-5) 25A (400MHz@6-6-6) 19A (533MHz@7-7-7)	EOL 2013Q2
	32M x 16	1.8V	8K	V59C1512164QD	J	3 (333MHz@5-5-5) 25 (400MHz@5-5-5) 25A (400MHz@6-6-6) 19A (533MHz@7-7-7)	EOL 2013Q2
	64M x 8	1.8V	8K	V59C1512804QE	J	3 (333MHz@5-5-5) 25 (400MHz@5-5-5) 25A (400MHz@6-6-6) 19A (533MHz@7-7-7)	2012Q2
	32M x 16	1.8V	8K	V59C1512164QE	J	3 (333MHz@5-5-5) 25 (400MHz@5-5-5) 25A (400MHz@6-6-6) 19A (533MHz@7-7-7)	2012Q2

DDR2 Synchronous DRAM

Density	Organization	Voltage	Refresh	Ordering Code			Production
				Part Number	Package	Speed	
1 Gb	128M x 8	1.8V	8K	V59C1G01808QB	J	3 (333MHz@5-5-5) 25 (400MHz@5-5-5) 25A (400MHz@6-6-6) 19A (533MHz@7-7-7)	EOL 2012Q4
	64M x 16	1.8V	8K	V59C1G01168QB	J	3 (333MHz@5-5-5) 25 (400MHz@5-5-5) 25A (400MHz@6-6-6) 19A (533MHz@7-7-7)	EOL 2012Q4
	64M x 16	1.8V	8K	V59C1G01168QBL	J	3 (333MHz@5-5-5) 25 (400MHz@5-5-5) 25A (400MHz@6-6-6) Low Power Grade	EOL 2012Q4
	128M x 8	1.8V	8K	V59C1G01808QC	J A	3 (333MHz@5-5-5) 25 (400MHz@5-5-5) 25A (400MHz@6-6-6) 19A (533MHz@7-7-7)	Now
	64M x 16	1.8V	8K	V59C1G01168QC	J	3 (333MHz@5-5-5) 25 (400MHz@5-5-5) 25A (400MHz@6-6-6) 19A (533MHz@7-7-7)	Now
2 Gb	128M x 16	1.8V	8K	V59C1G02168QB	P	3 (333MHz@5-5-5) 25A (400MHz@6-6-6) 25 (400MHz@5-5-5)	EOL 2013Q1
	128M x 16	1.8V	8K	V59C1G02168QC	P	3 (333MHz@5-5-5) 25A (400MHz@6-6-6) 25 (400MHz@5-5-5)	2012Q2

DDR Synchronous DRAM

Density	Organization	Voltage	Refresh	Ordering Code			Production
				Part Number	Package	Speed	
128 Mb	8M x 16	2.5V	4K	V58C2128164SE	I	6 (166MHz@CL2.5) 5 (200MHz@CL3) 4 (250MHz@CL3)	Now
256 Mb	32M x 8	2.5V	8K	V58C2256804SH	I	6 (166MHz@CL2.5) 5 (200MHz@CL3) 4 (250MHz@CL3)	Now
	16M x 16	2.5V	8K	V58C2256164SH	I	6 (166MHz@CL2.5) 5 (200MHz@CL3) 4 (250MHz@CL3)	Now
	32M x 8	2.5V	8K	V58C2256804SI	I J	6 (166MHz@CL2.5) 5 (200MHz@CL3) 4 (250MHz@CL3)	Now
	16M x 16	2.5V	8K	V58C2256164SI	I J	6 (166MHz@CL2.5) 5 (200MHz@CL3) 4 (250MHz@CL3)	Now
	64M x 8	2.5V	8K	V58C2512804SD	I J	6 (166MHz@CL2.5) 5 (200MHz@CL3) 4 (250MHz@CL3)	Now
512 Mb	32M x 16	2.5V	8K	V58C2512164SD	I J	6 (166MHz@CL2.5) 5 (200MHz@CL3) 4 (250MHz@CL3)	Now
	64M x 16	2.5 V	8K	V58C2G01164SE	D	75 (133MHz@CL2.5) 6 (166MHz@CL2.5)	Now

SDR Synchronous DRAM

Density	Organization	Voltage	Refresh	Ordering Code			Production
				Part Number	Package	Speed	
128 Mb	8M x 16	3.3V	4K	V54C3128164VE	I	7 (143MHz@CL3) 7PC (143MHz@CL2) 6 (166MHz@CL3)	Now
256 Mb	32M x 8	3.3V	8K	V54C3256804VH	I	7 (143MHz@CL3) 7PC (143MHz@CL2) 6 (166MHz@CL3)	Now
	16M x 16	3.3V	8K	V54C3256164VH	I	7 (143MHz@CL3) 7PC (143MHz@CL2) 6 (166MHz@CL3)	Now

Mobile DDR Synchronous DRAM

Density	Organization	Voltage	Refresh	Ordering Code			Production
				Part Number	Package	Speed (MHz)	
256 Mb	16M x 16	1.8V	8K	V56C1256164MI	J	75 (133MHz) 6 (166MHz)	Now
512 Mb	32M x 16	1.8V	8K	V56C1512164MD	J	75 (133MHz) 6 (166MHz) 5 (200MHz)	Now
1Gb	64M x 16	1.8V	8K	V56C1G01164MC	J	75 (133MHz) 6 (166MHz) 5 (200MHz)	2012Q2

Industrial Temperature DRAM Components

DDR2 Synchronous DRAM-Industrial Spec.

Density	Organization	Voltage	Refresh	Ordering Code			Production
				Part Number	Package	Speed	
256Mb	32M x 8	1.8V	8K	V59C1256804QI	J	3I (333MHz@5-5-5) 25I (400MHz@5-5-5) 25AI (400MHz@6-6-6)	Now
	16M x 16	1.8V	8K	V59C1256164QI	J	3I (333MHz@5-5-5) 25I (400MHz@5-5-5) 25AI (400MHz@6-6-6)	Now
512 Mb	64M x 8	1.8V	8K	V59C1512804QD	J	3I (333MHz@5-5-5) 25I (400MHz@5-5-5) 25AI (400MHz@6-6-6)	EOL 2013Q2
	32M x 16	1.8V	8K	V59C1512164QD	J	3I (333MHz@5-5-5) 25I (400MHz@5-5-5) 25AI (400MHz@6-6-6)	EOL 2013Q2
	64M x 8	1.8V	8K	V59C1512804QE	J	3I (333MHz@5-5-5) 25I (400MHz@5-5-5) 25AI (400MHz@6-6-6)	2012Q2
	32M x 16	1.8V	8K	V59C1512164QE	J	3I (333MHz@5-5-5) 25I (400MHz@5-5-5) 25AI (400MHz@6-6-6)	2012Q2
1 Gb	128M x 8	1.8V	8K	V59C1G01808QB	J	3I (333MHz@5-5-5) 25I (400MHz@5-5-5) 25AI (400MHz@6-6-6)	EOL 2012Q4
	64M x 16	1.8V	8K	V59C1G01168QB	J	3I (333MHz@5-5-5) 25I (400MHz@5-5-5) 25AI (400MHz@6-6-6)	EOL 2012Q4
	128M x 8	1.8V	8K	V59C1G01808QC	J A	3I (333MHz@5-5-5) 25I (400MHz@5-5-5) 25AI (400MHz@6-6-6)	Now
	64M x 16	1.8V	8K	V59C1G01168QC	J	3I (333MHz@5-5-5) 25I (400MHz@5-5-5) 25AI (400MHz@6-6-6)	Now

DDR Synchronous DRAM-Industrial Spec.

Density	Organization	Voltage	Refresh	Ordering Code			Production
				Part Number	Package	Speed	
128 Mb	8M x 16	2.5V	4K	V58C2128164SE	I	6I (166MHz@CL2.5) 5I (200MHz@CL3) 4I (250MHz@CL3)	Now
256 Mb	32M x 8	2.5V	8K	V58C2256804SH	I	6I (166MHz@CL2.5) 5I (200MHz@CL3) 4I (250MHz@CL3)	Now
	16M x 16	2.5V	8K	V58C2256164SH	I	6I (166MHz@CL2.5) 5I (200MHz@CL3) 4I (250MHz@CL3)	Now
	32M x 8	2.5V	8K	V58C2256804SI	I J	6I (166MHz@CL2.5) 5I (200MHz@CL3) 4I (250MHz@CL3)	Now
	16M x 16	2.5V	8K	V58C2256164SI	I J	6I (166MHz@CL2.5) 5I (200MHz@CL3) 4I (250MHz@CL3)	Now
512 Mb	64M x 8	2.5V	8K	V58C2512804SD	I J	6I (166MHz@CL2.5) 5I (200MHz@CL3) 4I (250MHz@CL3)	Now
	32M x 16	2.5V	8K	V58C2512164SD	I J	6I (166MHz@CL2.5) 5I (200MHz@CL3) 4I (250MHz@CL3)	Now

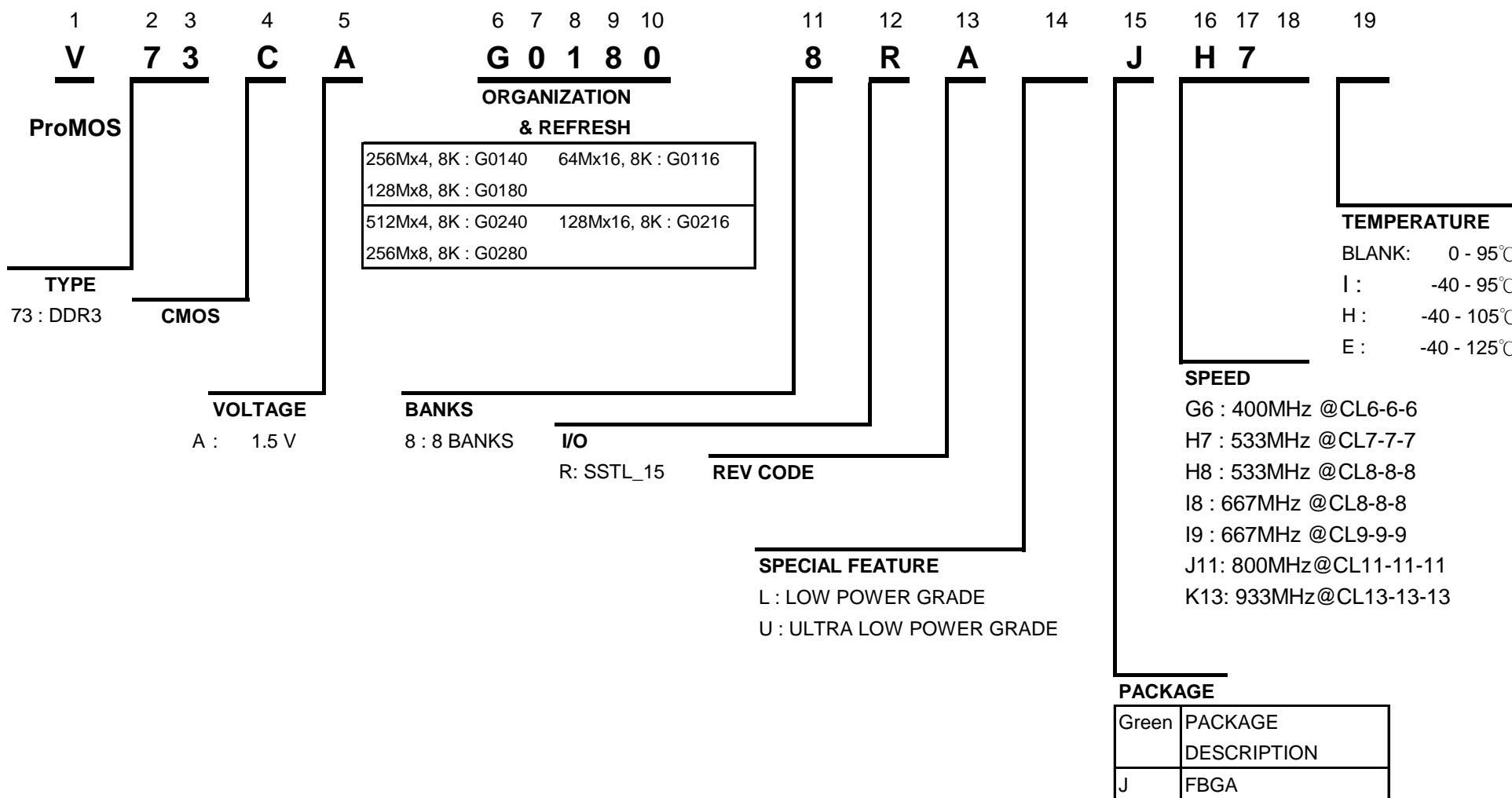
SDR Synchronous DRAM-Industrial Spec.

Density	Organization	Voltage	Refresh	Ordering Code			Production
				Part Number	Package	Speed	
128 Mb	8M x 16	3.3V	4K	V54C3128164VE	I	7I (143MHz@CL3) 7IPC (143MHz@CL2) 6I (166MHz@CL3)	Now
256 Mb	32M x 8	3.3V	8K	V54C3256804VH	I	7I (143MHz@CL3) 7IPC (143MHz@CL2) 6I (166MHz@CL3)	Now
	16M x 16	3.3V	8K	V54C3256164VH	I	7I (143MHz@CL3) 7IPC (143MHz@CL2) 6I (166MHz@CL3)	Now

Mobile DDR Synchronous DRAM-Industrial Spec.

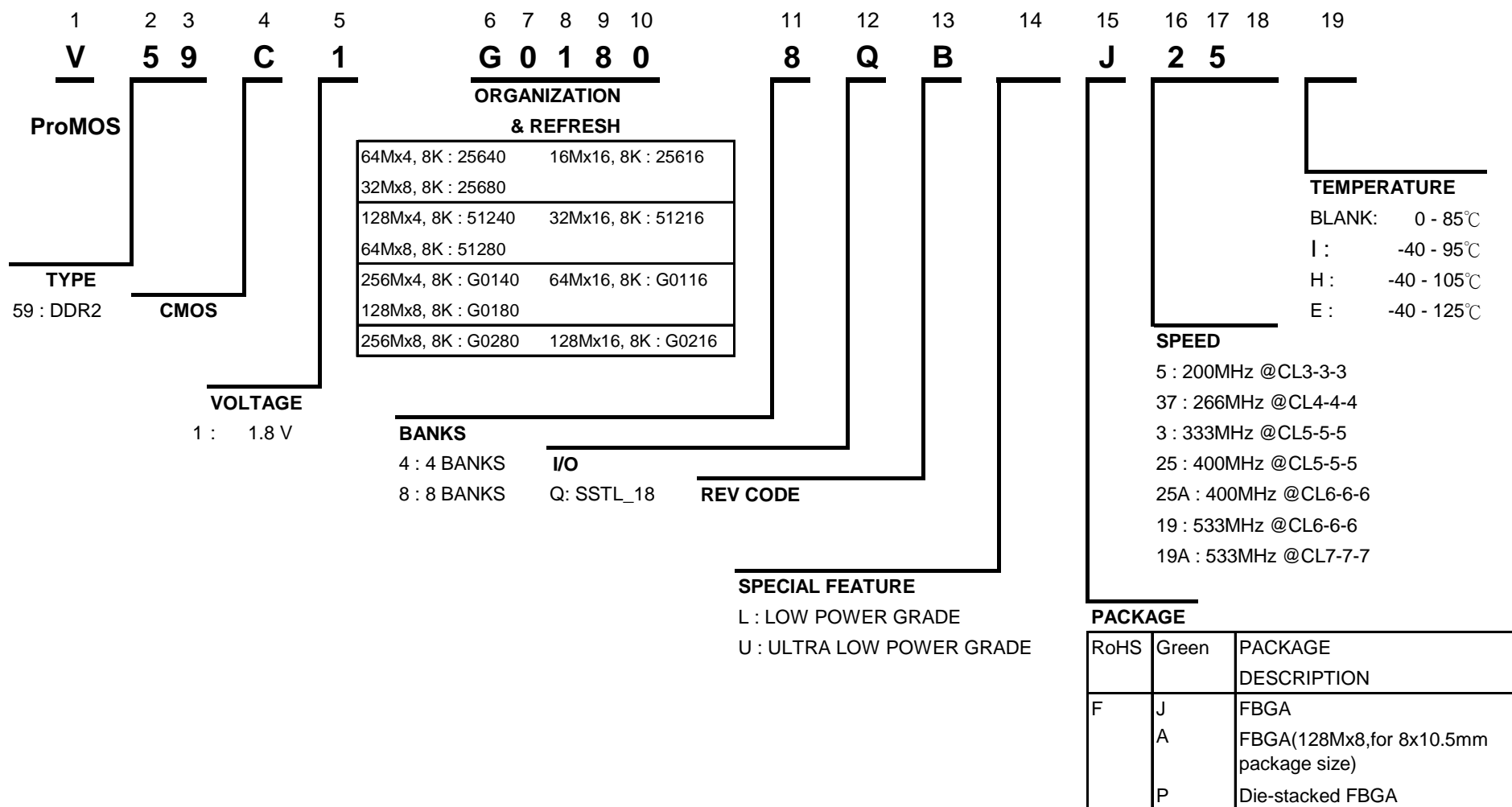
Density	Organization	Voltage	Refresh	Ordering Code			Production
				Part Number	Package	Speed	
256 Mb	16M x 16	1.8V	8K	V56C1256164MI	J	75I (133MHz) 6I (166MHz)	Now
512 Mb	32M x 16	1.8V	8K	V56C1512164MD	J	75M (133MHz) 75I (133MHz) 6I (166MHz)	Now

DDR3 Component Part Numbering



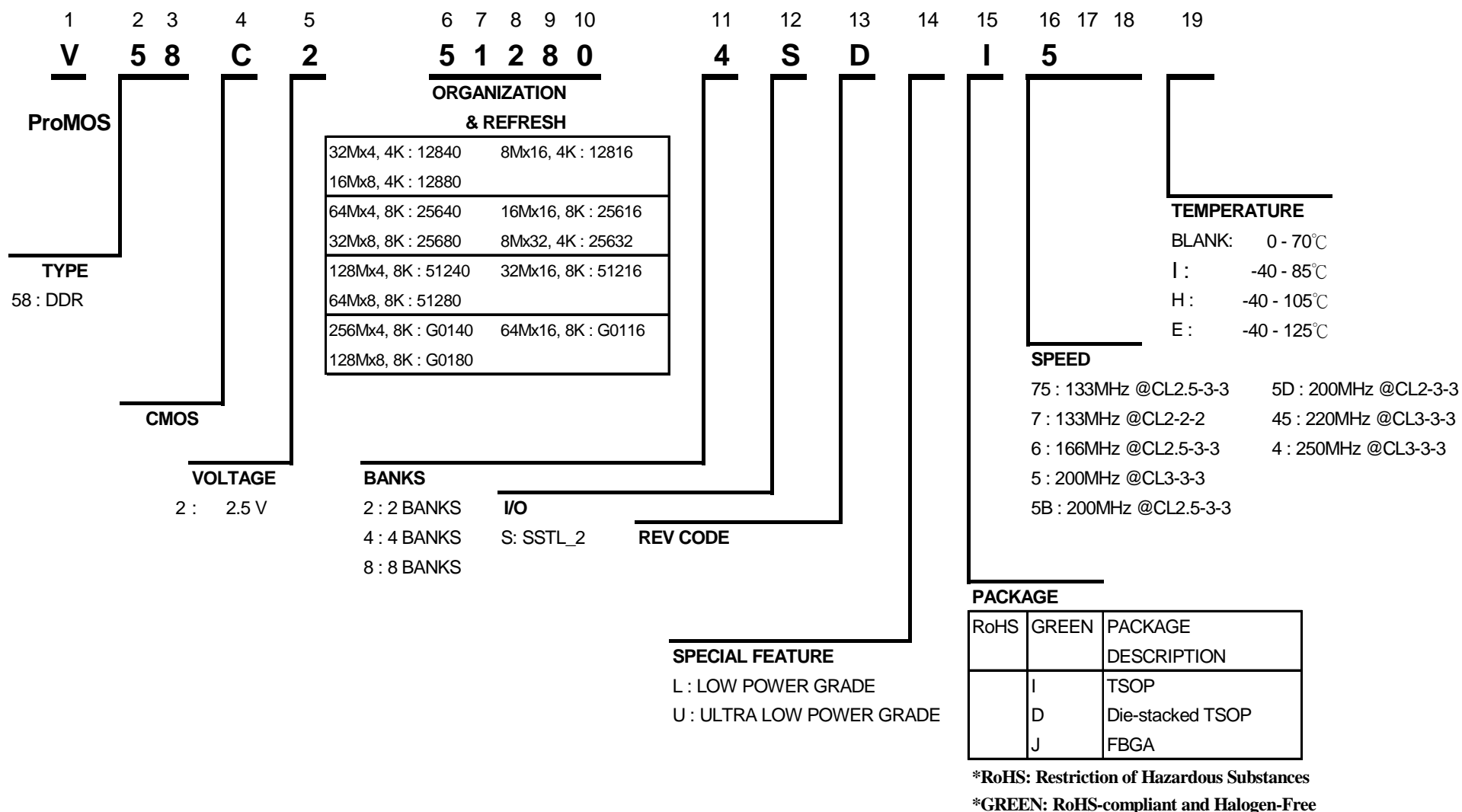
*GREEN: RoHS-compliant and Halogen-Free

DDR2 Component Part Numbering

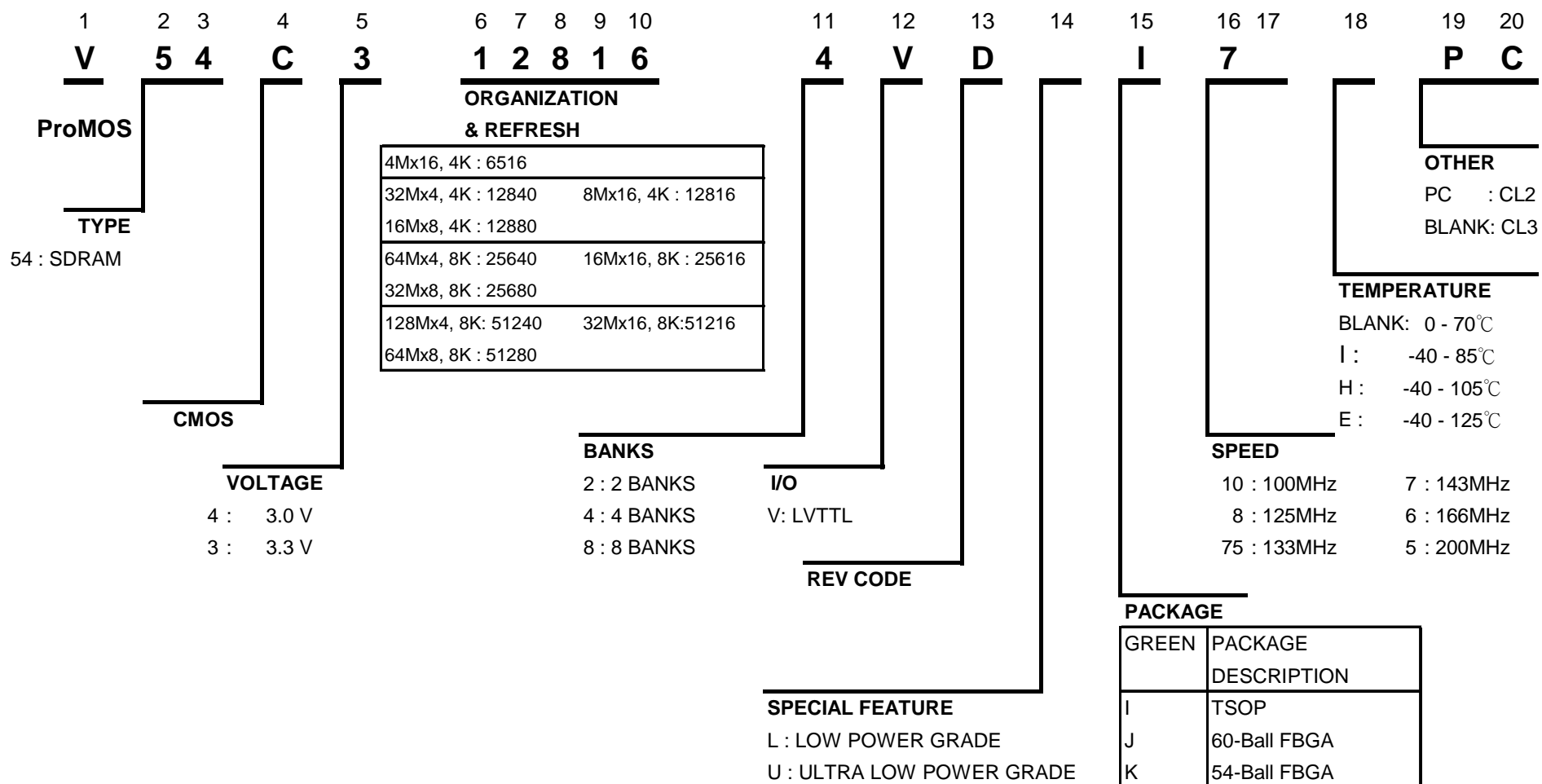


*RoHS: Restriction of Hazardous Substances

DDR Component Part Numbering

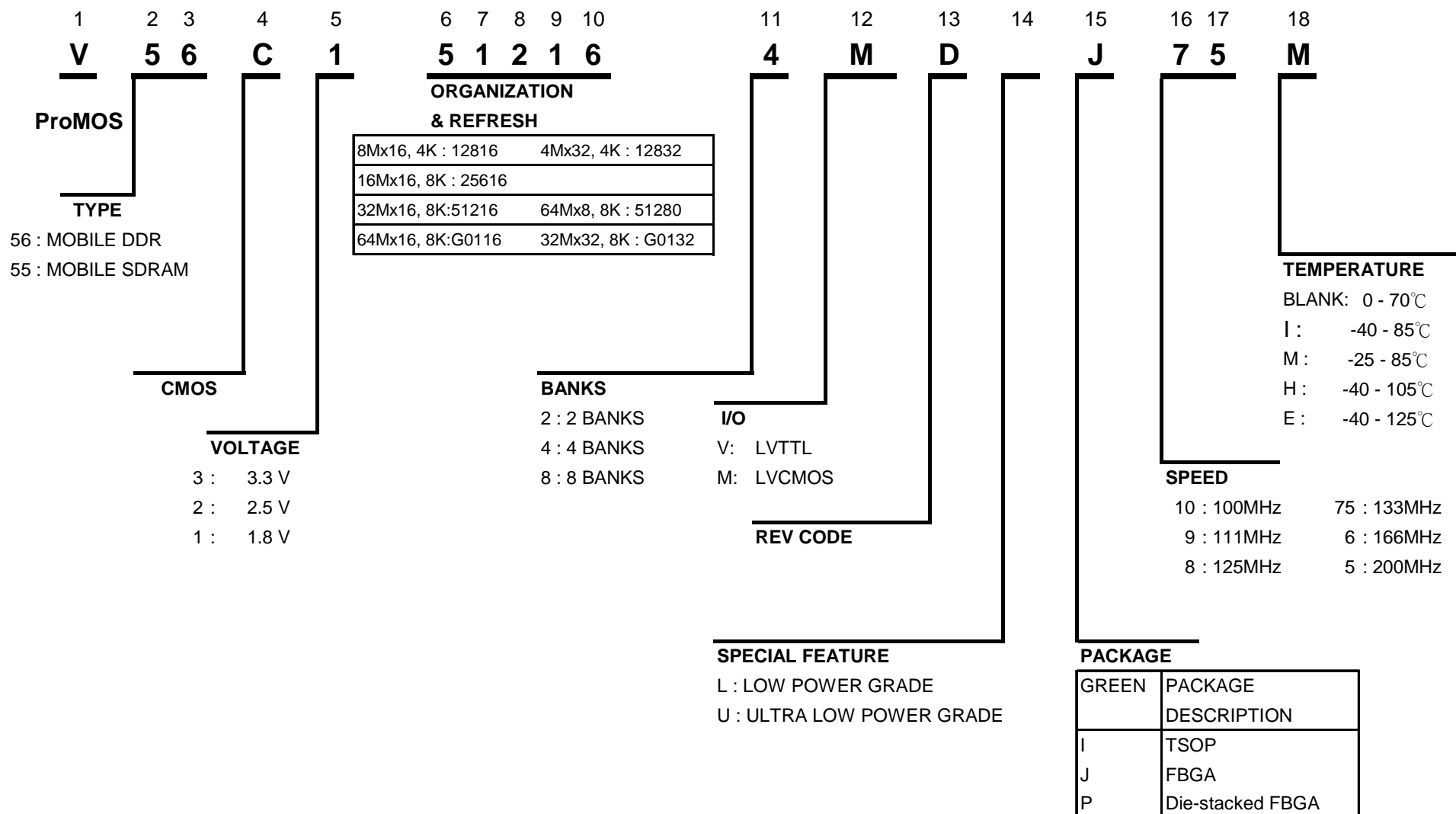


SDRAM Component Part Numbering



*GREEN: RoHS-compliant and Halogen-Free

Mobile SDR/DDR Component Part Numbering



*GREEN: RoHS-compliant and Halogen-Free

Worldwide Offices

TAIWAN (Hsinchu)

No. 19-1 Li Hsin Road,
Hsinchu Science Park,
Hsinchu, Taiwan, R.O.C.
Tel. 886-3-579-8308
Fax. 886-3-579-1685

TAIWAN (Taipei)

RM 116,11F-1, No.169, Sec. 4,
Zhongxiao E. Rd., Da'an Dist.,
Taipei City 10690, Taiwan , R.O.C.
Tel. 886-2-2731-5539

USA (East)

25 Creekside Road
Hopewell Junction,
NY 12533 USA
Tel. 1-845-223-1689
Fax. 1-845-223-1684